

# MARTINDALE ELECTRIC CO.

PO Box 430 Cleveland, OH 44107 • Phone (216) 521-8567 • Fax Local 521-9476 / USA & Canada (800) 344-9191 • E-Mail: sales@martindaleco.com

## Martindale Production Air Grinder

Model M-12

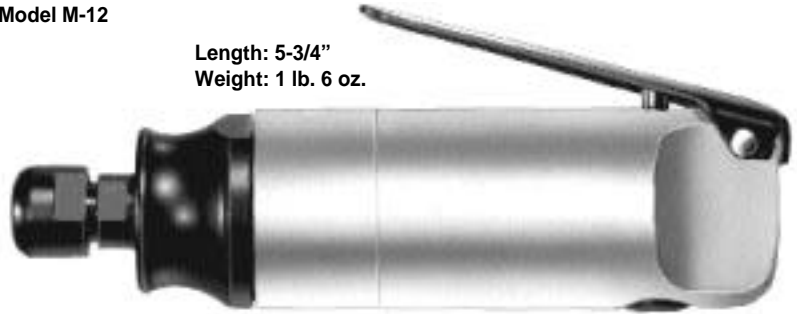
Model M-12 is designed for hard usage such as encountered in foundries, etc. It will stand up to steady production work with rotary burs and with mounted grinding wheels or points up to 1-1/2" diameter. Turns 18,000 r.p.m., 1/2 h.p. at 90 PSI air pressure. Uses approximately 18-22 CFM.

Model M-12 has a built-in speed regulator, specially designed nose piece for firm easy grip, 1/4" female N.P.T.F. air inlet, 1/4" collet, and the necessary wrenches as standard equipment.

Air exhaust is at the front of the grinder around the spindle, where it effectively blows grinding dusts away from the work and operator.

OPTIONAL EQUIPMENT: 1/8" collet can be substituted for 1/4" collet at no extra charge.

Length: 5-3/4"  
Weight: 1 lb. 6 oz.



Catalog Number

Model M-12 Air Grinder, complete with 1/4" collet and wrenches . . . . .AGRD1814  
1/8" Collet (Optional Equipment) . . . . .AGRDC18  
Automatic Air Filter-Lubricator (See Description Below) . . . . .FILL01

## No. 38-A Carbide Rotary Bur Kit

The No. 38-A Kit includes a high-speed precision manufactured air grinder with 1/4" collet. This grinder is similar to the one above except it's operating speed is 21,000 r.p.m. to accommodate the 5 solid carbide 1/4" diameter rotary burs included with the kit.

Burs included are RB4, RC4, RD4, RH4, and RJ4; all are 1/4" diameter cutting surface and shank, of five different shapes. All are "double-cut" making them suitable for use on either extremely hard or relatively soft materials. Burs can be re-ordered by number and are listed on page 30.

The high quality grinder is manufactured for Martindale by ARO® and is a compact 5-3/4" long; lightweight 1 lb., 6 oz.; and high speed 21,000 r.p.m. Recommended air pressure is 70-90 PSI, air inlet is 1/4" female N.P.T.F.



Catalog Number

Carbide Rotary Bur Kit No. 38-A, Complete in storage box . . . . .CABU38A  
Automatic Air Filter-Lubricator (See Description Below) . . . . .FILL01  
Net Weight 2 lbs. 6 ozs., Shipping Weight 4 lbs.

## Automatic Air Filter-Lubricator

Highly recommended for use with any air powered tools. This Fog Type Filter-Lubricator is designed to remove dirt, pipe scale, and most liquid aerosols which cause wear and premature failure. It also will deliver the right amount of lubrication to extend the service life of your air tools.

Consists of 2 die cast bowls with transparent nylon sight gauges, a 40 micron filter element, and a connecting nipple.



Catalog Number

Automatic Air Filter-Lubricator . . . . .FILL01  
Air Hose, 10 ft. long; complete  
with quick connector . . . . .AIRH10

## Martindale Hand Grinder

— built by DUMORE —

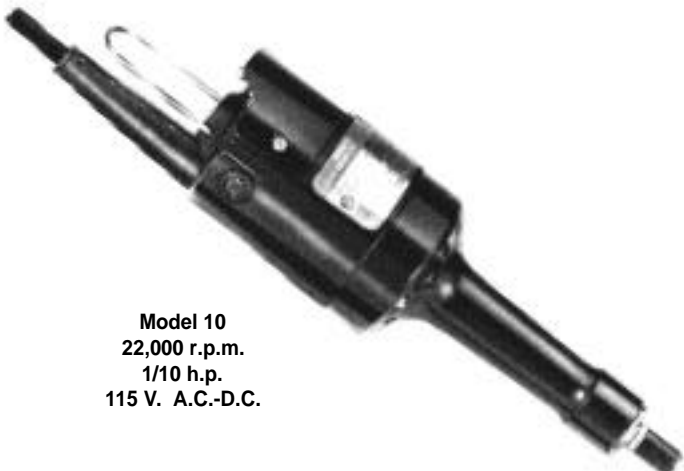
Model 10 is ideal for full-shift duty in the tool room or in production bench grinding, de-burring, etc. It is forced-air cooled, and two precision bearings in steel seats assure positive rigidity. Model 10 uses high-speed steel or carbide burs up to 3/8" diam., or mounted wheels up to 1" diam. Has 1/4" collet and 1/8" reducing sleeve.

Model 10 is U/L approved and sold with our guarantee of satisfaction.

Dimensions: 9-3/4" long x 2-3/4" diam.

Model 10 Grinder with 1/4" collet and  
1/8" reducing sleeve . . . . .DUMG10  
Net Weight 3-1/2 lbs., Shipping Weight 5 lbs.

Catalog Number



Model 10  
22,000 r.p.m.  
1/10 h.p.  
115 V. A.C.-D.C.